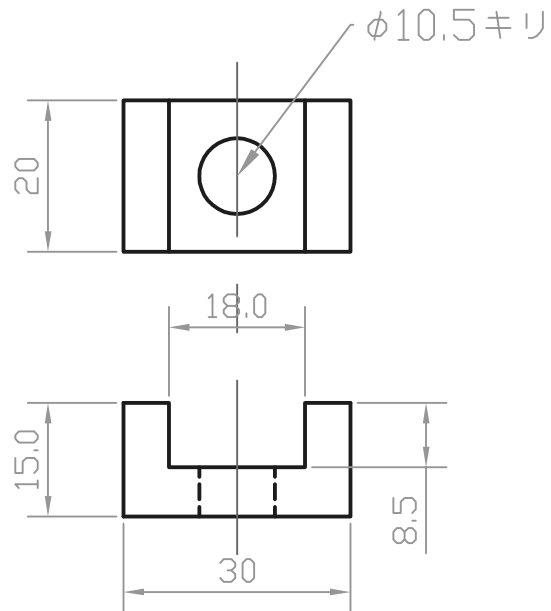
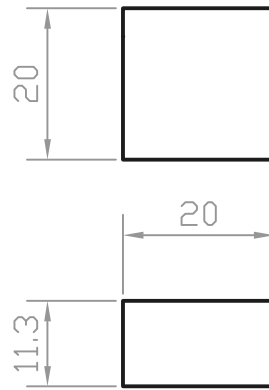
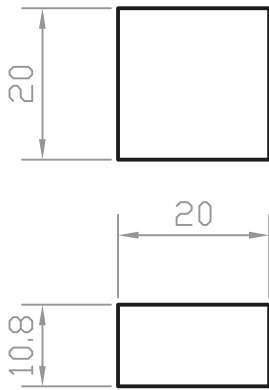


				2	Clearceram	
REF NO	PART NO.	REQD	MATERIAL DESCRIPTION		REMARKS	
					HEAT TREATMENT / FINJSH	
REQD	NEXT ASSEMBLY	FINAL ASSEMBLY				
DATE	2016 - 6 - 10	A4	3RD ANGLE PROJ. DIM in mm	TITLE センサ支持アーム		
DSG	CHK	APP	SCALE 1/1			
Kyoto Univ. Dept. of Astromony				DWG NO. sensor_arm2	REV	



				2	Clearceram	
REF NO.	PART NO.	REQD	MATERIAL DESCRIPTION	REMARKS		
				HEAT TREATMENT / FINJSH		
REQD	NEXT ASSEMBLY	FINAL ASSEMBLY				
DATE	2016 - 6 - 10	A4	3RD ANGLE PROJ. DIM in mm	TITLE センサ支持アーム2		
DSG	CHK	APP	SCALE 1/1			
Kyoto Univ. Dept. of Astromony				DWG NO. sensor_arm2	REV	



				各1	Clearceram				
REF NO.	PART NO.		REQD	MATERIAL DESCRIPTION		REMARKS			
					HEAT TREATMENT / FINJSH				
REQD	NEXT ASSEMBLY		FINAL ASSEMBLY						
DATE	2016 - 6 - 10	A4	3RD ANGLE PROJ.	TITLE					
DSG	CHK	APP	DIM in mm	センサ支持アーム3					
			SCALE	1 / 1					
Kyoto Univ. Dept. of Astromony				DWG NO.					REV
				sensor_arm2					